

Features

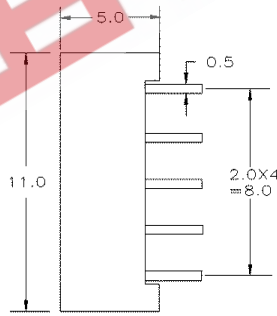
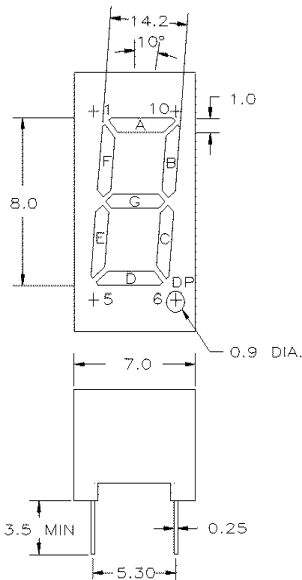
Additional Colors/Materials Available
Excellent Character Appearance
High Light Output
IC Compatible
Low Current Requirements
Other Face/Epoxy Colors Available
Right Hand Decimal

Notes

All Dimensions are in millimeters.
Tolerance is $\pm 0.25\text{mm}$ unless otherwise stated.
The slope angle of any pin may be $\pm 5.0^\circ$ MAX.
Operating Temperature: $-25 \sim +85$
Storage Temperature: $-25 \sim +100$
Specifications are subject to change without notice.

Part Number	PWL λ_p	Material	Emitted Color	Face Colors		Maximum Ratings			Optical and Electrical Characteristics								Pin Out
				Epoxy Color	Surface Color	IF	VR	PD	Forward Voltage VF				Reverse Current IR		Luminous Intensity IV		
									typ. seg	IF@	typ. dec	IF@	max.	VR@	typ. seg	IF@	
MTN2132-12A	567	GaP	YG	White	Grey	30	4.00	85.00	2.10	20mA	-	-	100	5V	5.20	20mA	1
MTN2132-12C	567	GaP	YG	White	Grey	30	4.00	85.00	2.10	20mA	-	-	100	5V	5.20	20mA	2
MTN4132R-12A	635	GaAsP	HR	Red	Red	30	4.00	85.00	2.10	20mA	-	-	100	5V	5.90	20mA	1
MTN4132R-12C	635	GaAsP	HR	Red	Red	30	4.00	85.00	2.10	20mA	-	-	100	5V	5.90	20mA	2
MTN7132M-12A	660	GaAlAs	UR	White	Black	30	4.00	70.00	1.80	20mA	-	-	100	4V	13.80	20mA	1
MTN7132M-12C	660	GaAlAs	SBUR	White	Black	30	4.00	70.00	1.80	20mA	-	-	100	4V	13.80	20mA	2
Units	nm	-	-	-	-	mA	V	mW	V	-	V	-	μA	-	mcd	-	-

Package Dimensions and Pin Functions



PINOUT 1

COMMON ANODE

PIN NO. FUNCTION

- 1. CATHODE A
- 2. CATHODE F
- 3. CATHODE G
- 4. CATHODE E
- 5. CATHODE D
- 6. CATHODE DP
- 7. ANODE DP
- 8. CATHODE C
- 9. COMMON ANODE
- 10. CATHODE B

PINOUT 2

COMMON CATHODE

PIN NO. FUNCTION

- 1. ANODE A
- 2. ANODE F
- 3. ANODE G
- 4. ANODE E
- 5. ANODE D
- 6. CATHODE DP
- 7. ANODE DP
- 8. ANODE C
- 9. COMMON CATHODE
- 10. ANODE B