

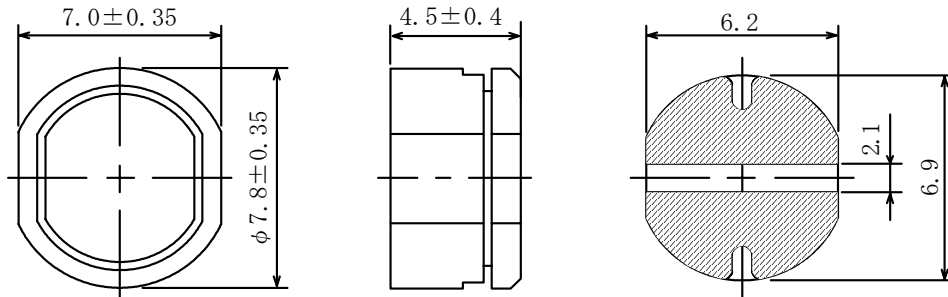
# 仕様書

形名

CDR74B

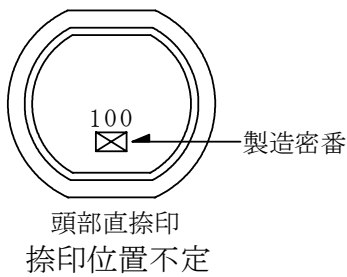
## 1. 外形

### 1-1. 寸法図 (mm)

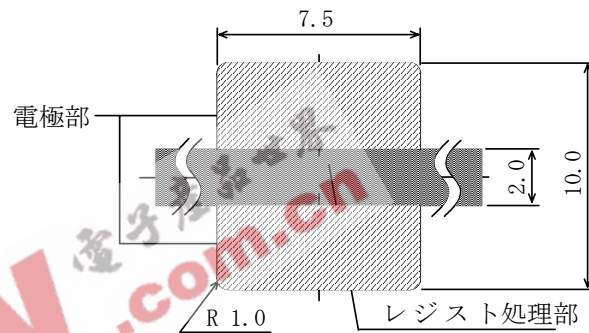


\* 公差のない寸法は参考値とする。

### 1-2. 捺印表示例



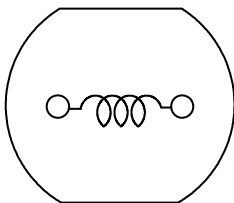
### 1-3. 推奨ランド寸法 (mm)



\* 電極間の隙間はレジスト処理をして御使用下さい。

## 2. コイル仕様

### 2-1. 端子接続図 (裏面図)



RoHS

compliance  
Cd:Max. 0.01wt%  
others:Max. 0.1wt%



## 仕様書

形名  
CDR74B

## 2-2. 電気的特性

NO.	品名	表示	インダクタンス [以内] ※1	D. C. R. ( $\Omega$ ) [以下] (at 20°C)	定格電流 (A) ※2	S. R. F. (MHz) [参考値]	SUMIDA CODE
01	CDR74BNP-100MC	100	10 $\mu$ H $\pm$ 20%	0.07	1.65	26.3	-0070
02	CDR74BNP-100MB						-0071
03	CDR74BNP-120MC	120	12 $\mu$ H $\pm$ 20%	0.07	1.57	25.1	-0072
04	CDR74BNP-120MB						-0073
05	CDR74BNP-150MC	150	15 $\mu$ H $\pm$ 20%	0.08	1.39	19.9	-0075
06	CDR74BNP-150MB						-0076
07	CDR74BNP-180MC	180	18 $\mu$ H $\pm$ 20%	0.10	1.29	19.3	-0077
08	CDR74BNP-180MB						-0078
09	CDR74BNP-220MC	220	22 $\mu$ H $\pm$ 20%	0.13	1.12	18.4	-0079
10	CDR74BNP-220MB						-0080
11	CDR74BNP-270MC	270	27 $\mu$ H $\pm$ 20%	0.16	1.06	15.7	-0081
12	CDR74BNP-270MB						-0082
13	CDR74BNP-330LC	330	33 $\mu$ H $\pm$ 15%	0.18	0.97	15.3	-0083
14	CDR74BNP-330LB						-0084
15	CDR74BNP-390LC	390	39 $\mu$ H $\pm$ 15%	0.18	0.91	14.0	-0086
16	CDR74BNP-390LB						-0087
17	CDR74BNP-470LC	470	47 $\mu$ H $\pm$ 15%	0.27	0.80	12.4	-0088
18	CDR74BNP-470LB						-0089
19	CDR74BNP-560LC	560	56 $\mu$ H $\pm$ 15%	0.29	0.76	11.8	-0090
20	CDR74BNP-560LB						-0091
21	CDR74BNP-680LC	680	68 $\mu$ H $\pm$ 15%	0.33	0.68	10.0	-0092
22	CDR74BNP-680LB						-0093
23	CDR74BNP-820LC	820	82 $\mu$ H $\pm$ 15%	0.43	0.62	9.3	-0094
24	CDR74BNP-820LB						-0095
25	CDR74BNP-101KC	101	100 $\mu$ H $\pm$ 10%	0.49	0.55	8.3	-0097
26	CDR74BNP-101KB						-0098
27	CDR74BNP-121KC	121	120 $\mu$ H $\pm$ 10%	0.68	0.49	7.3	-0099
28	CDR74BNP-121KB						-0100
29	CDR74BNP-151KC	151	150 $\mu$ H $\pm$ 10%	0.94	0.44	6.4	-0101
30	CDR74BNP-151KB						-0102
31	CDR74BNP-181KC	181	180 $\mu$ H $\pm$ 10%	1.00	0.40	5.6	-0103
32	CDR74BNP-181KB						-0104
33	CDR74BNP-221KC	221	220 $\mu$ H $\pm$ 10%	1.18	0.36	5.4	-0105
34	CDR74BNP-221KB						-0106
35	CDR74BNP-271KC	271	270 $\mu$ H $\pm$ 10%	1.30	0.33	4.6	-0108
36	CDR74BNP-271KB						-0109

\* 品名表示の区分

(1) リール梱包の場合: CDR74BNP-XXXXC

(2) 箱梱包の場合: CDR74BNP-XXXXB

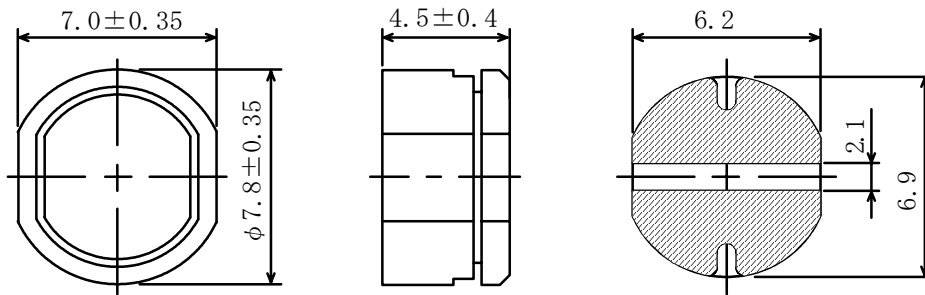
※1 測定周波数 L 10  $\mu$  H  $\sim$  82  $\mu$  H at 2.52MHz  
100  $\mu$  H  $\sim$  270  $\mu$  H at 1kHz※2 定格電流は直流重畳特性に於て、インダクタンスが初期値より-10%となる電流、又は直流電流を流した時のコイルの発熱が、 $\Delta t=40^\circ\text{C}$ 以下となる電流のどちらか小さい方の値。(Ta=20°Cを基準とする。)3. 保存温度範囲 - 25  $\sim$  + 80使用温度範囲 - 25  $\sim$  + 80 (コイルの発熱を含む。)

# SPECIFICATION

TYPE  
CDR 7 4 B

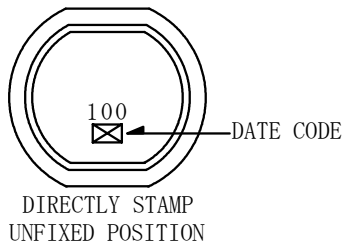
## 1. APPEARANCE

### 1-1. DIMENSIONS (mm)

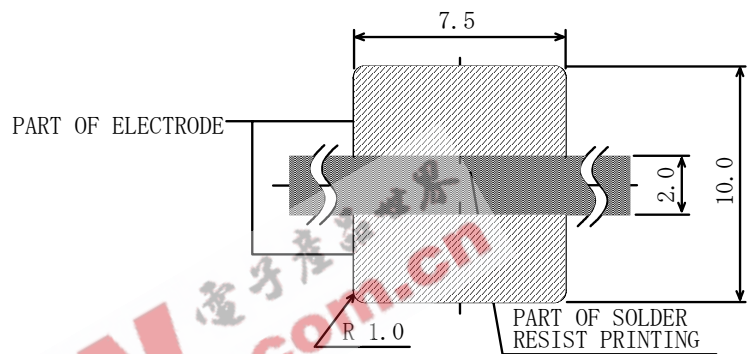


\* DIMENSIONS WITHOUT TOLERANCE ARE APPROX.

### 1-2. STAMP (E. G.)



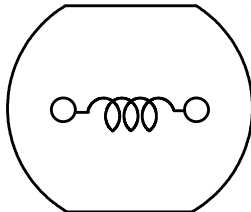
### 1-3. RECOMMENDED LAND PATTERNS DIMENSIONS (mm)



PLEASE COAT WITH SOLDER RESIST PRINTING BETWEEN THE TWO ELECTRODES.

## 2. COIL SPECIFICATION

### 2-1. CONNECTION (BOTTOM VIEW)



RoHS

compliance  
Cd:Max. 0.01wt%  
others:Max. 0.1wt%



# SPECIFICATION

TYPE CDR74B
----------------

## 2-2. ELECTRICAL CHARACTERISTICS

NO.	PART NO.	STAMP	INDUCTANCE [WITHIN] ※1	D. C. R. (Ω) [MAX.] (at 20°C)	RATED CURRENT (A) ※2	S. R. F. (MHz) [TYP.]	SUMIDA CODE
01	CDR74BNP-100MC	100	10 μH ± 20%	0.07	1.65	26.3	-0070
02	CDR74BNP-100MB						-0071
03	CDR74BNP-120MC	120	12 μH ± 20%	0.07	1.57	25.1	-0072
04	CDR74BNP-120MB						-0073
05	CDR74BNP-150MC	150	15 μH ± 20%	0.08	1.39	19.9	-0075
06	CDR74BNP-150MB						-0076
07	CDR74BNP-180MC	180	18 μH ± 20%	0.10	1.29	19.3	-0077
08	CDR74BNP-180MB						-0078
09	CDR74BNP-220MC	220	22 μH ± 20%	0.13	1.12	18.4	-0079
10	CDR74BNP-220MB						-0080
11	CDR74BNP-270MC	270	27 μH ± 20%	0.16	1.06	15.7	-0081
12	CDR74BNP-270MB						-0082
13	CDR74BNP-330LC	330	33 μH ± 15%	0.18	0.97	15.3	-0083
14	CDR74BNP-330LB						-0084
15	CDR74BNP-390LC	390	39 μH ± 15%	0.18	0.91	14.0	-0086
16	CDR74BNP-390LB						-0087
17	CDR74BNP-470LC	470	47 μH ± 15%	0.27	0.80	12.4	-0088
18	CDR74BNP-470LB						-0089
19	CDR74BNP-560LC	560	56 μH ± 15%	0.29	0.76	11.8	-0090
20	CDR74BNP-560LB						-0091
21	CDR74BNP-680LC	680	68 μH ± 15%	0.33	0.68	10.0	-0092
22	CDR74BNP-680LB						-0093
23	CDR74BNP-820LC	820	82 μH ± 15%	0.43	0.62	9.3	-0094
24	CDR74BNP-820LB						-0095
25	CDR74BNP-101KC	101	100 μH ± 10%	0.49	0.55	8.3	-0097
26	CDR74BNP-101KB						-0098
27	CDR74BNP-121KC	121	120 μH ± 10%	0.68	0.49	7.3	-0099
28	CDR74BNP-121KB						-0100
29	CDR74BNP-151KC	151	150 μH ± 10%	0.94	0.44	6.4	-0101
30	CDR74BNP-151KB						-0102
31	CDR74BNP-181KC	181	180 μH ± 10%	1.00	0.40	5.6	-0103
32	CDR74BNP-181KB						-0104
33	CDR74BNP-221KC	221	220 μH ± 10%	1.18	0.36	5.4	-0105
34	CDR74BNP-221KB						-0106
35	CDR74BNP-271KC	271	270 μH ± 10%	1.30	0.33	4.6	-0108
36	CDR74BNP-271KB						-0109

\* PART NO. DESCRIPTION

(1) IN CASE OF REEL PACKING: CDR74BNP-XXXXC

(2) IN CASE OF BOX PACKING: CDR74BNP-XXXXB

※1 : MEASURED FREQUENCY L 10 μH ~ 82 μH ; at 2.52 MHz  
 100 μH ~ 270 μH ; at 1 kHz

※2 : THE RATED CURRENT INDICATES THE CURRENT WHEN THE INDUCTANCE DECREASES TO 10% OF INITIAL VALUE OR DC CURRENT WHEN THE TEMPERATURE OF COIL IS INCREASED BY 40°C. THE SMALLER ONE IS DEFINED AS RATED CURRENT. (Ta=20°C)

3. STORAGE TEMPERATURE RANGE : -25°C ~ +80°C

OPERATING TEMPERATURE RANGE: -25°C ~ +80°C (INCLUDING COIL'S SELF TEMPERATURE RISE)

